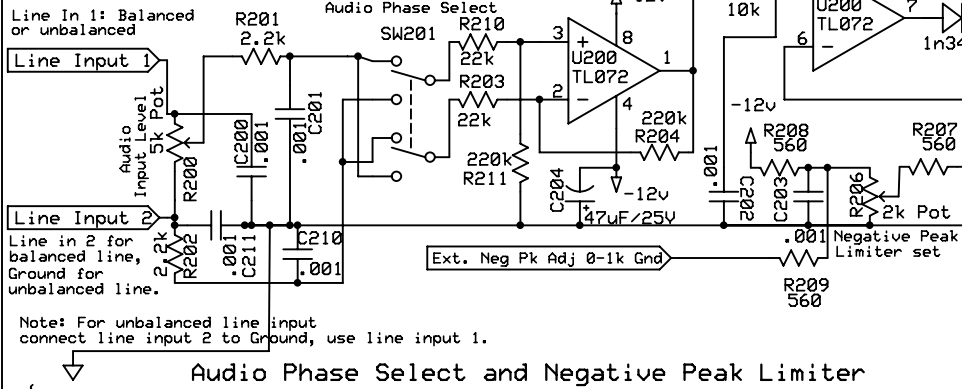
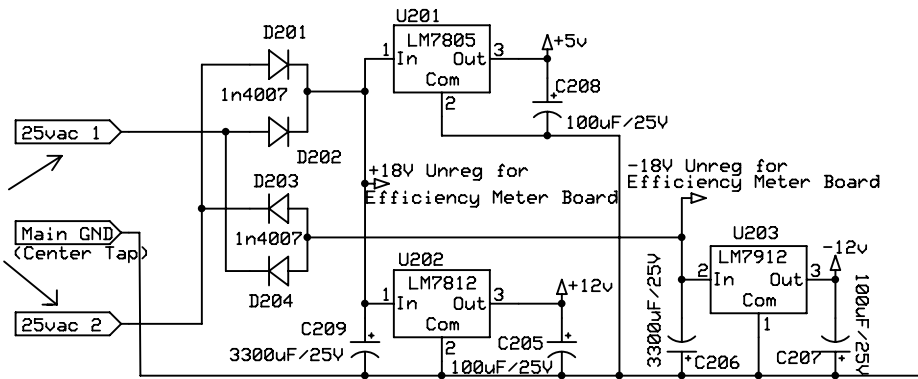


PWM Generator Board

If a front panel or other input gain control is needed, use an additional potentiometer ahead of the Line Input. Do not outboard R200 or any other of the on-board controls.



Low voltage AC input from 25VCT transformer



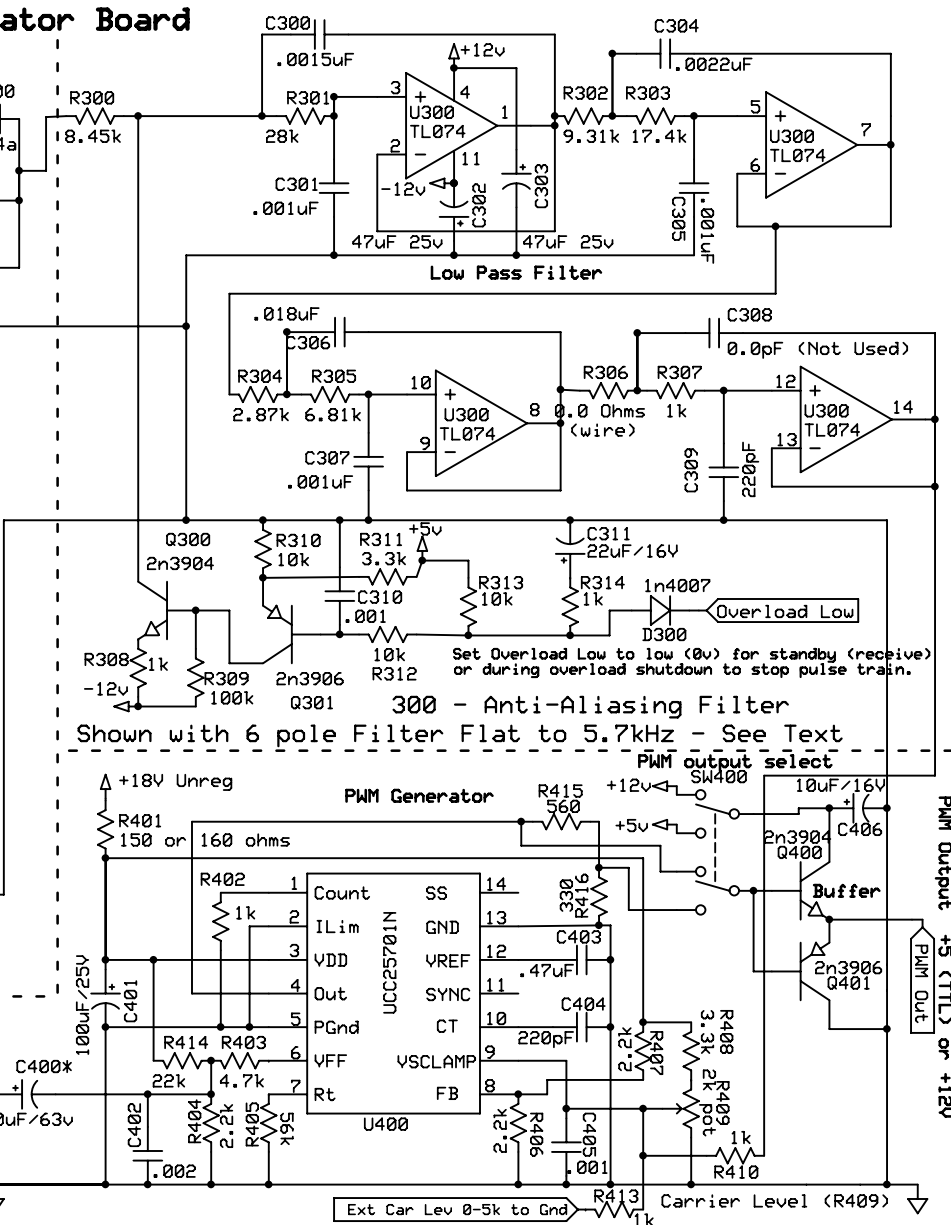
200 - Audio Input and Low Voltage Power Supplies

Notes: PWM Out: Voltage selectable, +12V or +5V TTL compatible, low impedance output. Should be terminated at remote end with a terminating resistor to ground - usually 50 ohms. This output may be used to drive shielded cables.

Select the proper PWM output voltage using the PwmOutSel switch before operating. Either a +5V TTL compatible output or +12V (higher voltage) output may be selected.

* C400 and R400 not supplied with the board kit

Circuit & Methods Copyright 1998-2014 Radio Engineering Associates Inc. Use of this circuit by individuals for their own non-commercial use is permitted and encouraged. all other uses, reproduction, duplication, mass production or use for any commercial purpose is prohibited without written permission from the author.



Radio Engineering Associates

Pulse Width Modulator

S. Cloutier

Rev F
02/2014

WA1QIX