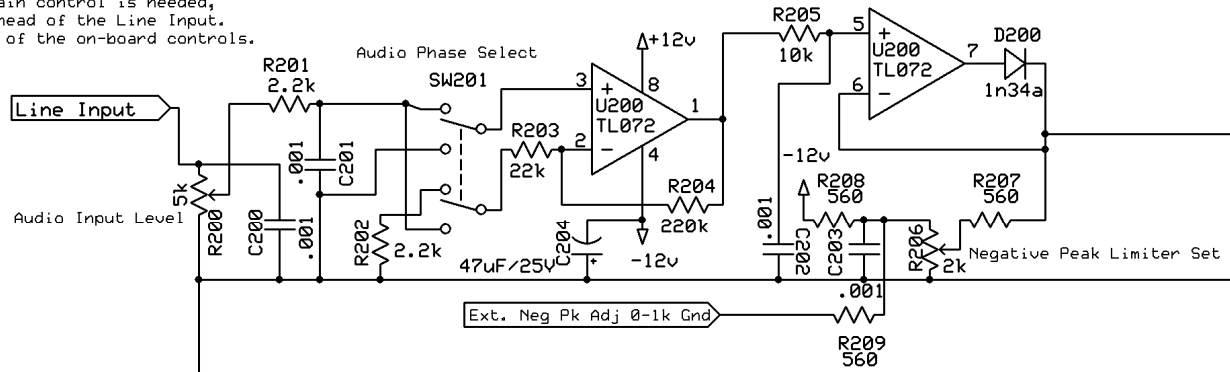


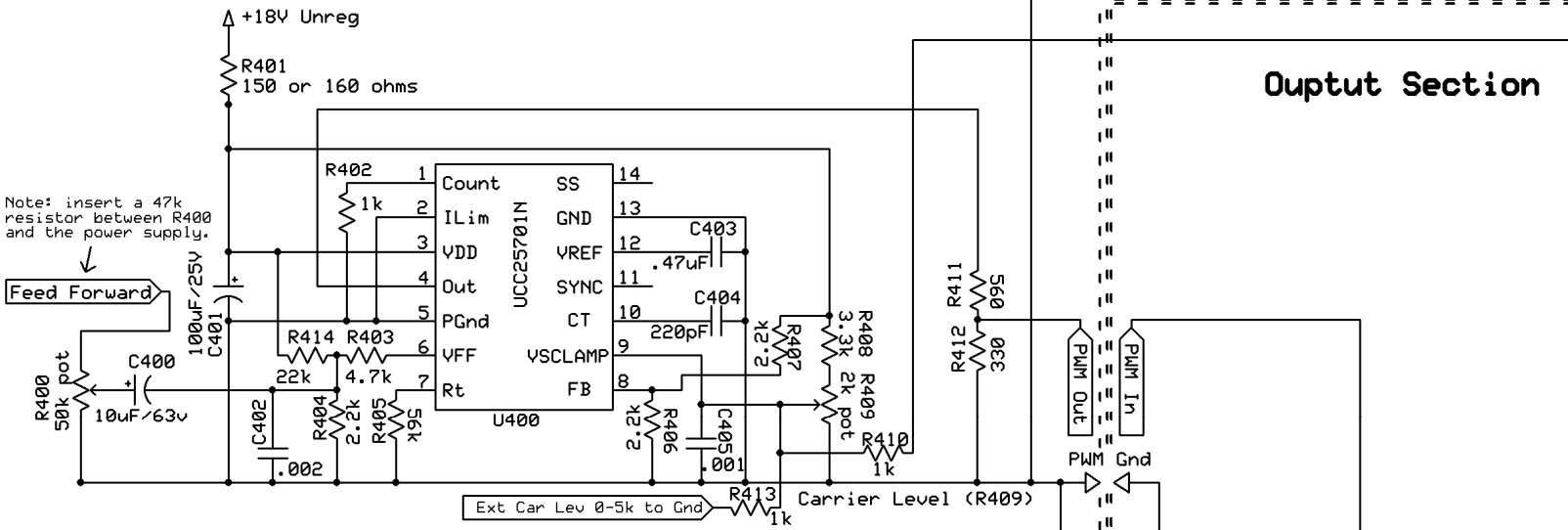
# PWM Generator

If a front panel or other input gain control is needed, use an additional potentiometer ahead of the Line Input. Do not outboard R200 or any other of the on-board controls.

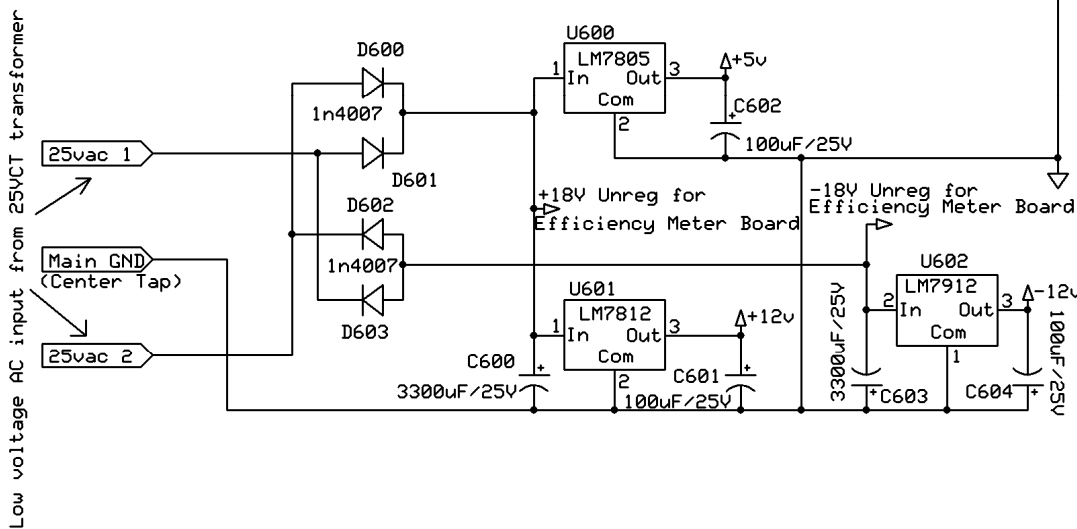


200 - Audio Phase Select and Negative Peak Limiter

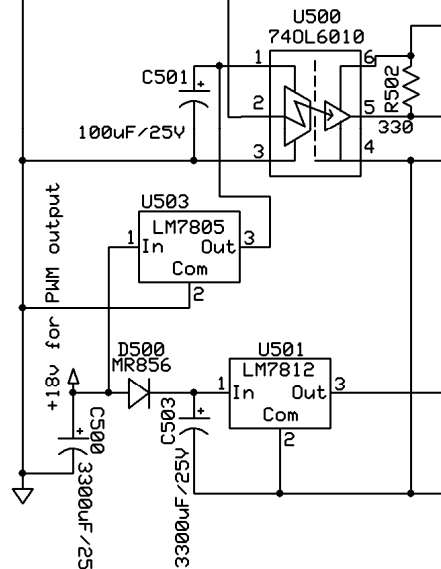
# Output Section



400 Pulse Width Modulation Generator (Main Board)



600 Low Voltage Power Supply (Main Board)



500 - PWM Output